

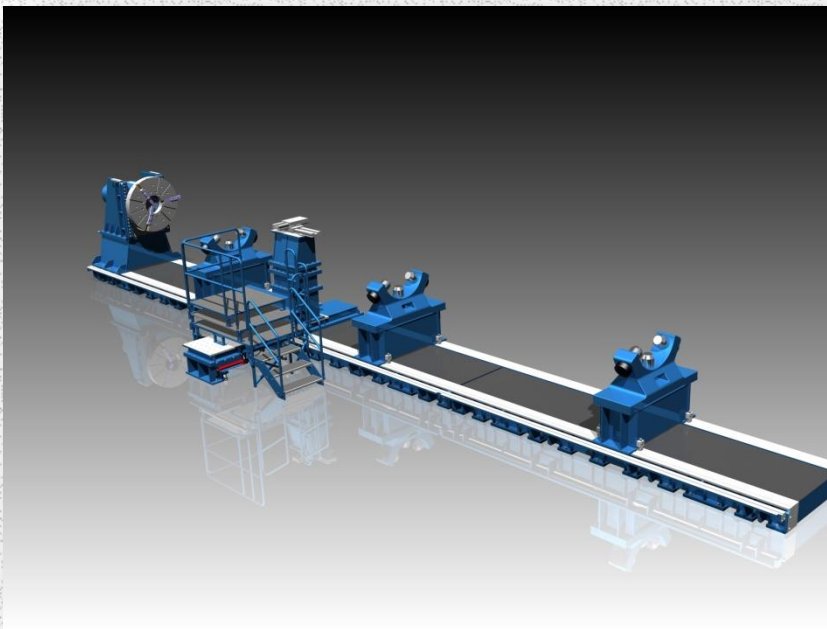
RTD – Series

portable lathes & balancing machines

Portable lathe

A highly flexible precision tool designed for machining, grinding and balancing of turbine & generator rotors on-site.

Our portable lathes, available in a different range of sizes are designed with particular emphasis on transportability and application versatility. The efficiency and reliability of these machines has been proven over 30 years by many operators throughout the world. The individual machine design can be easily adapted to customers needs.



**The on-site use of these machines can often reduce outage time by days!
This is a considerable economical advantage!**

Capacities:

- Different sizes up to 150 tons
- Up to 5.0m in diameter
- Adjustable to almost any rotor length
- Extension for coupled rotors possible

Capabilities:

- Machining/grinding of bearing journals, thrust faces, blade root fits, blade tips and shrouds, rotating seal strips, coupling fits & faces, slot milling etc.
- Generator retaining ring fit modification
- Use as turning device during rotor repairs, inspection, turbine re-blading, generator rewinding etc.

Application:

- Steam, gas and hydro turbine rotors
- Generator and large electric motors
- Large fan and compressor rotors
- Large drive shafts

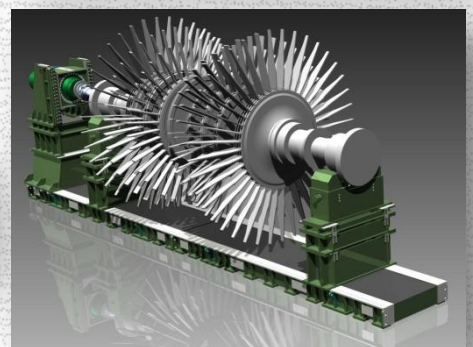
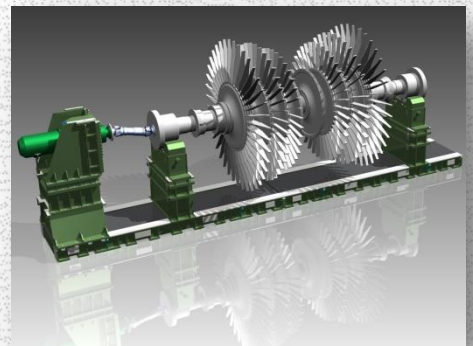
Features:

- Self aligning V-type support accommodates any journal diameter
- Hydrostatic bearing
- Powerful electric or hydraulic drive transmission with step-less speed control
- CNC-Control
- Many other options are available according to customer requirement
- Different sizes for any budget

Low speed balancing

Equipped with state of the art balancing technology, this machine is not only very versatile, it is in fact a true work horse!

It is not only good practice but advisable to check for and to correct any rotor unbalance on turbine outages, particularly after rotor blade, shroud band, and/or erosion shield replacements or any other intervention, affecting the static/dynamic rotor balance.



What makes this machine truly unique, is its superb performance in both operating modes:

Machining and low speed balancing!

The change over from machining to balancing mode is a fast and simple operation.

All balancing instrumentation furnished with this machine is of industry known/approved quality and has a proven on the job reliability.

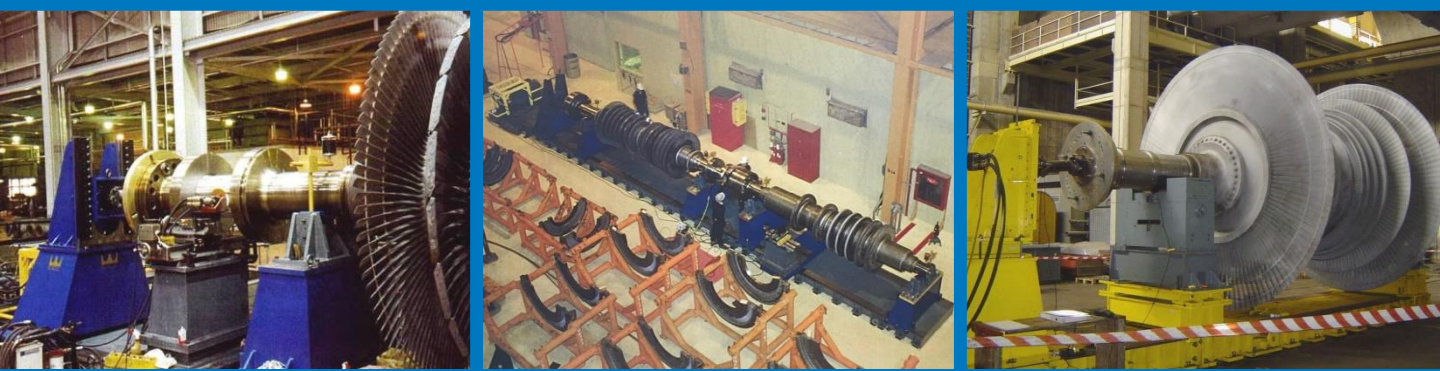
The balancing boxes are designed and made to the highest precision standards. Each balancing box has a pair of steel rollers arranged with carrier and linkage in a free floating, self aligning, 3-axis gimbal assembly.

For special requirements, hydrostatic bearings can be supplied not only for machining but also for the balancing equipment.

Founded in 1986 KAWE AG is a well-established and highly respected Swiss engineering and manufacturing company.

KAWE AG is a quality driven organization with a proven track record in delivering precision engineering, products and services to blue chip companies within the Power Generation, Aerospace, Food, Rail and Automotive Industries.

An independent and solution focused organization offering unrivaled customer support and satisfaction.



KAWE AG
Schwaresterstrasse 2
5604 Hendschiken
Switzerland

Tel.: +41 62 885 06 80
E-Mail: info@kawe.ch
Website: www.kawe.ch

